

# Product Information for the GVF40

Let your imagination soar. Napoleon's Multi-view series offers endless design possibilities, dividing rooms with exceptional views while adding comfort, warmth and style. The perfect combination of functionality and clean burning performance.

NOTE: Vent Free Products are not approved in Canada and some States. Please check your local codes regarding vent free products.

## EXCLUSIVE FEATURES

- Advanced burner technology produces the most realistic, beautiful YELLOW DANCING FLAMES®
- Realistic PHAZER® logs and glowing ember bed provide a real wood burning appearance

## PRODUCT FEATURES

- Up to 30,000 BTU's
- No electricity required to light or operate – millivolt system ensures reliable use even during power failures
- 50% flame/heat adjustment for maximum comfort and efficiency
- Available in clean burning, convenient natural gas or propane
- Equipped with 100% SAFE GUARD™, gas control system for your peace of mind
- Oxygen Depletion Sensor (ODS)
- Decorative Sandstone brick panels
- Fireplace screen available
- Available as open end left or right see through peninsula or four-sided island
- PHAZERAMIC® burner system creates a unique YELLOW DANCING FLAME® burner system with a brightly glowing charcoal bed
- Bay front complete with pull screen
- Blower kit with variable speed and thermostatic control
- Backed by President's Limited Lifetime Warranty



**Ornamental Insets 24 Karat Gold Plated, Satin Chrome Plated and Painted**



**Louvres Polished Brass, Antique Brass, Brushed Stainless Steel and Painted**



**6" Beveled Trim Kits Polished Brass, Antique Brass, Brushed Stainless Steel and Textured Painted**

**Black Finishes**



**Cast Iron Surrounds Painted Black and Porcelain Enamel Majolica Brown Finishes**

**Black Finishes**



**Remote Controls F45 or F60**

**Black Finishes**



**Andirons 24 Karat Gold Plated and Painted Black Finishes**

**PRODUCT SPECIFICATIONS**

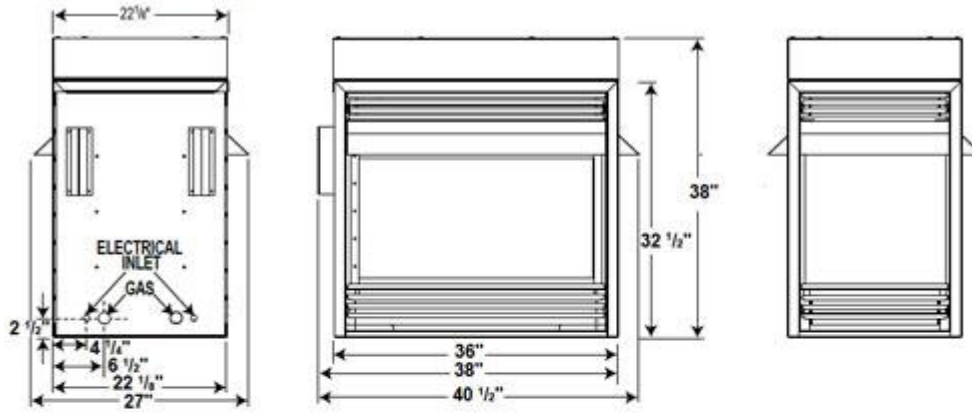
<b>Model</b>	GVF40	
<b>BTU's</b>	<b>Natural Gas</b>	<b>Propane</b>
	30,000	30,000
<b>Steady State</b>	99%	

Tested as a heater to ANSI Z21.11.2

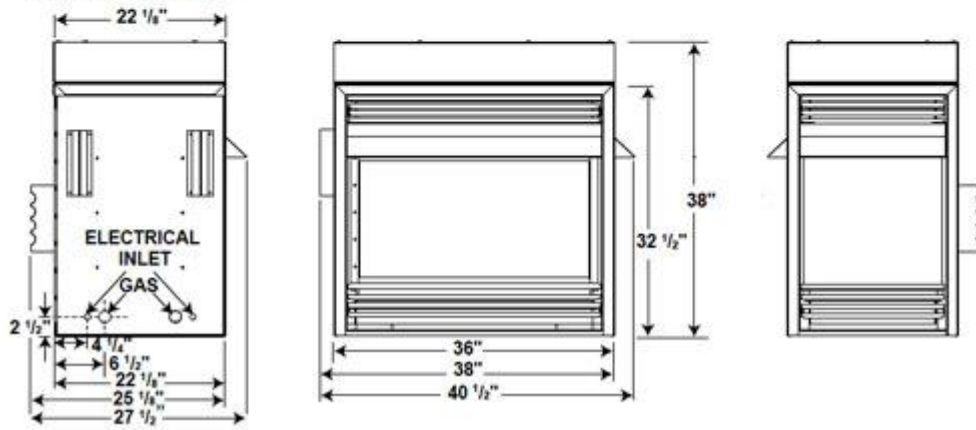
**Additional Information**

- Can be installed on an exterior or interior wall
- Zero clearance to combustibles
- No need for costly foundation or brickwork
- Not approved in Canada and some States

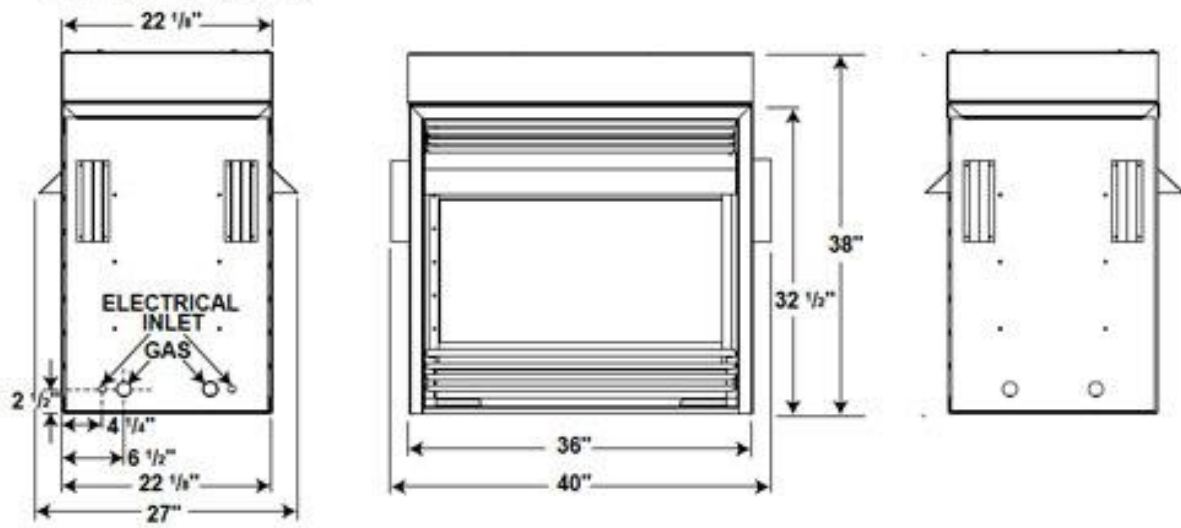
**GVF403 - Peninsula**



**GVF401 - Corner**



**GVF402 - See Thru**



**GVF404 - Four-Sided Island**

