

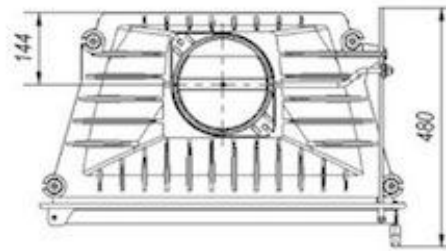
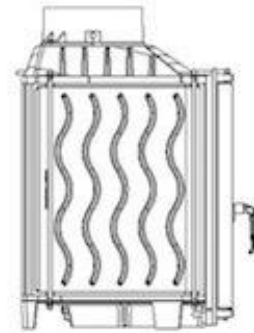
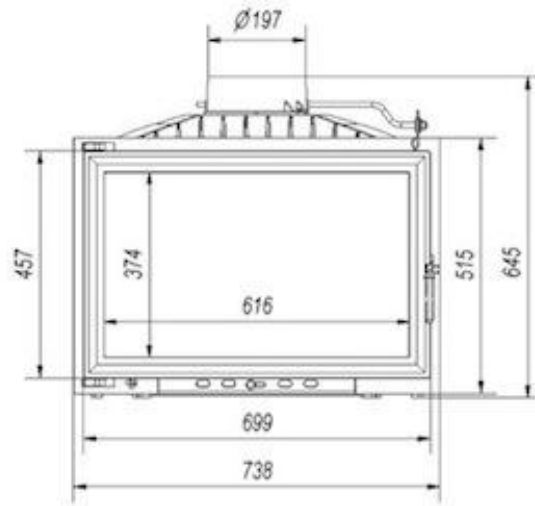
FIREPLACE INSERT WIKTOR 14 KW

Power rating (kW)	14
Diameter (mm)	200
Efficiency (%) ~	70
CO emission (per 13% O₂) ≤	0.61
Dust emission*	99.7
Temperature (°C)	352
Weight (Kilo)	110
Heating surface (m²)**	120-140
Length of wood (mm)	450
Fuel	Seasonal hardwood (humidity max 20%), brown coal briquettes
Material	Grey cast iron class 200

* mg/m_n³

** depends from the insulation of the building

Dimensions:



WIKTOR